

# EPC-1092

# EXOR

10.4" TFT Panel PC with MainBoard, CF,  
Dual LAN



## Specifications

### System

#### SBC Model

ES-2622

#### CPU

VIA V4 Eden 1GHz CPU

#### BIOS

Award BIOS with 4Mb Flash EEPROM

#### System Chipset

VIA CX700(M)

#### System Memory

1 x 200-pin SO-DIMM socket up to 1GB DDR2 SDRAM

#### Display Chipset

VIA CX700(M)

#### Audio Chipset

RealTek ALC883 7.1+2CH audio codec

#### Ethernet Chipset

Dual VIA VT6106S 10/100 Mbps LAN

Provides Wireless LAN Module (optional)

#### Drive Bay

1 x 2.5" HDD space

#### Storage

1 x Type II CF socket

#### Watchdog Timer

Reset: 1 sec.~255 min. and 1 sec. or 1 min./step

### Panel & Touch Screen

#### LCD Size

10.4"

#### Max Resolution

800 x 600 pixels

#### Brightness (cd/m<sup>2</sup>)

230 cd/m<sup>2</sup>(Typ.)

#### Contrast Ratio

500:1

#### LCD Color

26.2K colors

#### Pixel Pitch (mm)

0.264 x 0.264

#### Touch Screen

10.4" resistive

### Mechanical & Environmental

#### Thermal Solution

4cm ball bearing cooling fan x 1

#### Front Panel Color

Black

#### Dimensions (LxHxW)

29.2 x 22.6 x 8.7 cm

#### Operation Temperature

0~+45 degrees C

#### Storage Temperature

-20~+70 degrees C

#### EMC

FCC/CE

#### Front Panel Protection

IP65 compliance

#### Power Adapter

84W adapter

### I/O Interface

#### External I/O

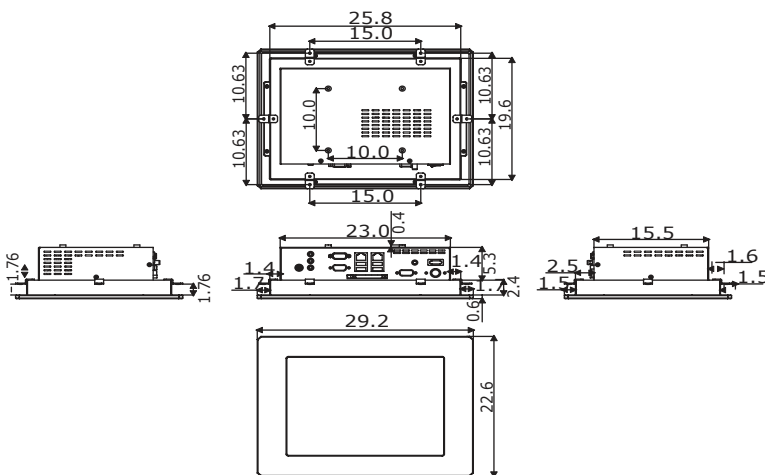
PS/2 KB/MS, MIC In, Line In, Line Out, COM x 2, VGA, LAN x 2, USB2.0 x 4, CF

#### Rear I/O

## Features

- ◆ Aluminum front panel design
- ◆ 10.4" TFT color panel display
- ◆ Built-in touch screen, ES-2622/VIA V4 Eden 1GHz CPU, 84W adapter, Wireless LAN module, open frame (optional)
- ◆ Onboard graphics, dual ethernet, audio controller
- ◆ 2.5" HDD space x 1
- ◆ 4cm ball bearing cooling fan x 1
- ◆ EPC-1092-H provides CF, COM x 2, USB2.0 x 4

## Dimensions



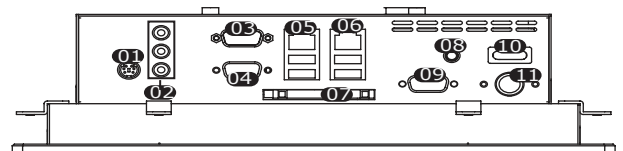
## Ordering Guide

### EPC-1092

- ◆ 10.4" Panel PC w/TFT Panel, Touch Screen, ES-2622, 84W Adapter

#### Accessory Options

Metal Stand, Memory Module, Wireless LAN Module, 2.5" HDD



01. KB/MS 05. LAN + USB2.0 \* 209. COM 2 (RS-422/485 optional)  
02. Audio 06. LAN + USB2.0 \* 210. ON/OFF  
03. COM 1 07. CF 11. Power In  
04. VGA 08. WLAN ANT